



SikurExit

Panic function multipoint locks for 1 and
2 leaf aluminum and steel doors



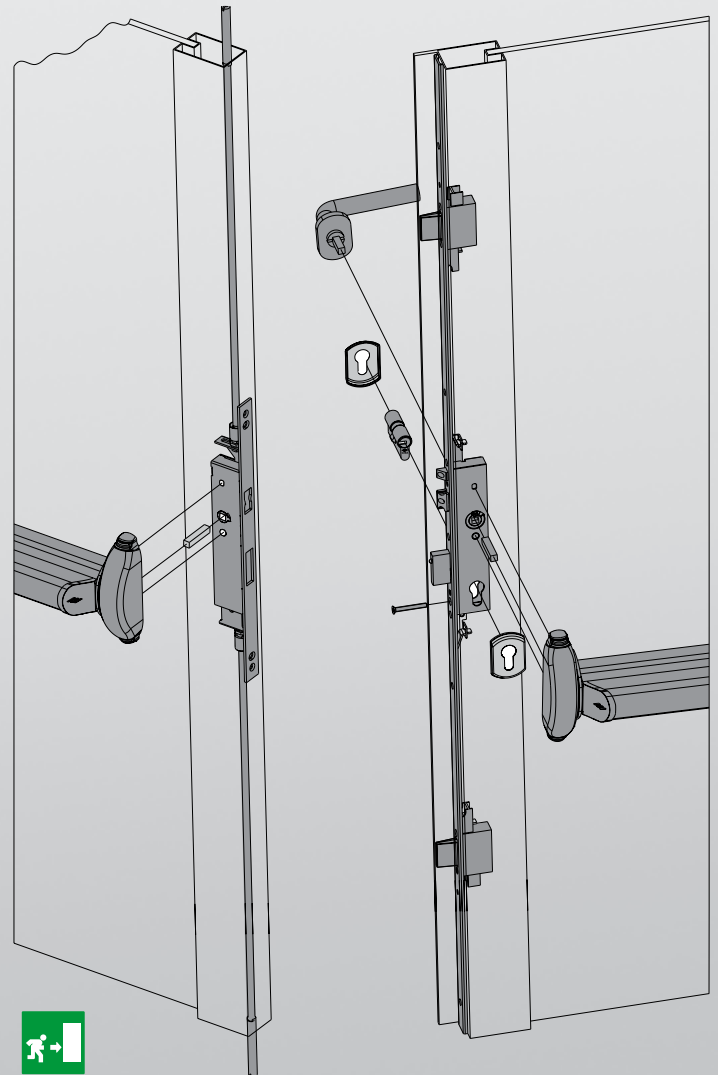
SikurExit: panic function multipoint locks for 1- and 2-leaf aluminum and steel doors

OPERATION

- 3 point locking mechanism for the main leaf and safety lock with top and bottom locking points for the secondary leaf. They can be operated:
 - from inside with a panic exit device (EN 1125:2008) or a handle (EN 179:2008)
 - from outside on the main door leaf only: opening by key (the handle operates the latch only).

COMPLETE RANGE

- Suitable for installation on 1- and 2-leaf doors *new*.
- Single version for 1- and 2-leaf doors *new*.
- 2 full height faceplates:
 - "FLAT" 24x3 stainless steel 2300 mm height
 - "U" shaped 24x5 stainless steel 2300 mm height.
- Locks with 30/35/40/45 mm backsets *new*.
- Secondary door safety locks available in 30/40/60/75 mm backsets *new*.
- Suitable for installation with panic exit devices Series 59600 or Series Sblock 59710-00/01-0.
- New 1 locking point version.



CERTIFICATION

The materials and technical solutions adopted allow the highest standards to be respected, leading CISA to obtain markings and certifications such as:

- Certified system according to the 89/106/CE DIRECTIVE
Reference standards: EN 1125:2008 panic exit devices
EN 179:2008 emergency exit devices
- Voluntary product certification released by a third party ICIM as provided for by EN 1125:2008 standard for specific CISA panic exit devices
- Voluntary lock certification according to the European Standard EN 12209:2003 prEN 15685:2008



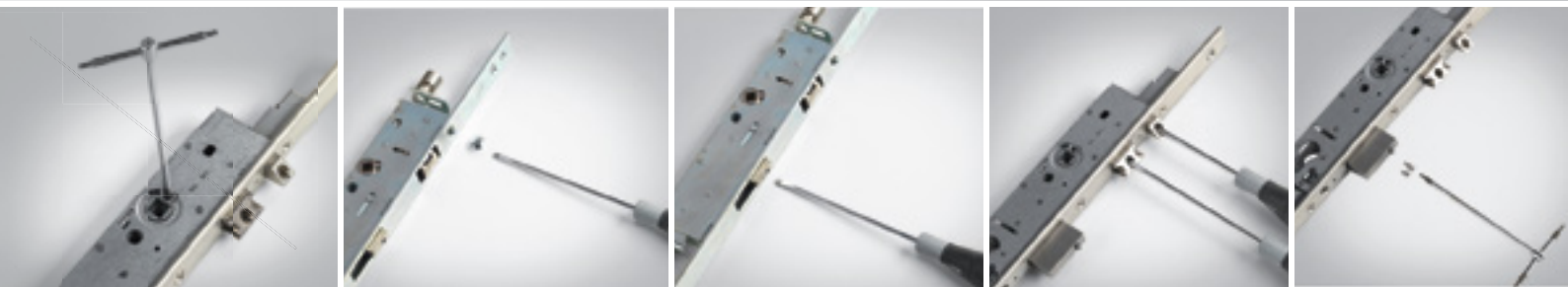
TOP CLASS SECURITY

- 3 locking points.
 - Horizontal sliding lateral bolts (20mm center deadbolt, 25mm diverting devices) *new*.
 - Antipicking device on the latchbolt *new*.
 - Pre-arranged for cylinder protective rose installation to improve drill and tear resistance *new*.
 - Grade 6 Security according to the security standards provided for by the European Standard EN 12209:2003 DRAFT WI 33250:2004
- Deadbolt resistance:
- Side pushing: 1.000 Kg
 - Front load 600 Kg.



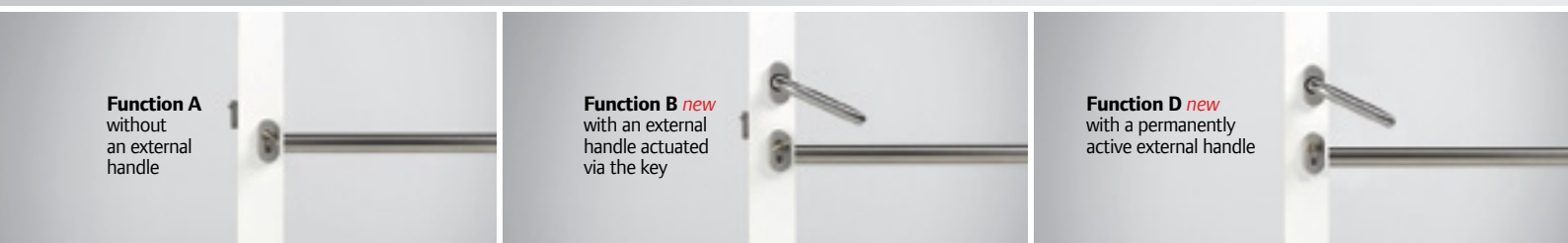
MAXIMUM FLEXIBILITY

- Non-handed latchbolt.
- Non-handed square spindle (possibility to select the panic exit device side) *new*.
- Adjustable latch and anti-picking system *new*.
- Feeler pin on the deadbolt removable for single leaf doors *new*.
- Interchangeable with the current 1 locking point version.
- Hold open device in the A/D functions *new*.
(production to start in September 2009).
- Can be installed with an electric striker eliminating the anti-picking function *new*.
- Suitable for installation with an electric handle.



FUNCTIONS FOR OPENING FROM OUTSIDE

- 3 functions are available of which 2 can be obtained with the same lock by only adding an external handle (functions A/D):
 - Function A = without handle from the outside. The key can be used to operate the latch and deadbolt.
 - Function B = with handle from the outside. The key enables/disables the handle to operate the latchbolt.
 - Function D = with handle from the outside. When the deadbolt is withdrawn, the handle is always enabled to operate the latchbolt.



Function A
without
an external
handle

Function B *new*
with an external
handle actuated
via the key

Function D *new*
with a permanently
active external
handle

Technical features:

Lock

- Steel case.
- Adjustable faceplate at the top/bottom.
- Adjustable latchbolt (11 to 17 mm).
- Adjustable antipicking bolt (9 to 15 mm).
- 20 mm 1 throw deadbolt.
- 8mm square spindle.
- DIN holes for handle plate installation.
- Hold open device in the A/D functions (production to start in September 2009).

Safety lock

- Steel case.
- Deadbolt feeler pin, 23.5mm stroke, adjustable by 5.5mm.
- 8mm square spindle.
- When the safety lock is released, the extended bolts will stay withdrawn. Extended bolt closure can be restored:
 - Automatically by using the device item 1.07089-52-0 (bolts automatically restored when the door is locked)
 - Manually by pressing the special button on the safety lock faceplate.
- Extended bolt connector adjustable by 18 mm in the horizontal direction:
 - E = 30mm 11 to 29 mm faceplate spacer
 - E = 40mm 21 to 39 mm faceplate spacer
 - E = 60mm 41 to 59 mm faceplate spacer
 - E = 75mm 56 to 74 mm faceplate spacer

Finishes

- Zinc plated case.
- Stainless steel faceplate.
- Nickel plated latch and deadbolt.

Hand

0 = non-handed.



Certified system

The CE certified system provides that only the items listed by the Manufacturer can be installed with the lock/safety lock:

- **For panic exit systems EN 1125:2008**

- Locks series 43725/43735/43825/43835 (3 locking points), 43225/43235/43236 (1 locking point).
- Panic exit device series 59600 + bar series 07007 or series Sblock item 1.59710-00/01-0.
- External thumb turn item 1.07070-56-0-B1 (function A), optional.
- External handle item 1.07070-66-0-B1 (function B/D), optional.
- Adjustable striking plates (see table)

- **For 2-leaf doors add:**

- Safety lock series 43295
- Panic exit device series 59600 + bar series 07007 or series Sblock item 1.59710-00/01-0.
- Extended bolts item 1.07088-03-0.
- Teflon covered floor striker item 1.06142-85-0.
- Extended bolt release device item 1.07089-52-0 (optional).

- **For emergency exits EN 179:2008**

- Locks series 43725/43735/43825/43835 (3 locking points), 43225/43235/43236 (1 locking point).
- Internal handle item 1.07070-66-0-B1.
- External thumb turn item 1.07070-56-0-B1 (function A), optional.
- External handle item 1.07070-66-0-B1 (function B/D), optional.
- Adjustable striking plates for diverting devices (see table).

- **For 2-leaf doors add:**


- Safety lock series 43295
- Internal handle item 1.07070-66-0-B1.
- Extended bolts item 1.07088-03-0.
- Teflon covered floor striker item 1.06142-85-0.
- Extended bolt release device item 1.07089-52-0 (optional).


STRIKING PLATES FOR INSTALLATION ON SINGLE LEAF DOORS

Center lock item	Diverting devices (2 pcs) item
1 06463 14 0	1 06465 04 0
1 06463 15 0	1 06465 05 0
1 06463 16 0	1 06465 06 0
1 06463 17 0	1 06465 07 0
1 06463 19 0	1 06465 22 0
1 06463 31 0	1 06465 21 0
1 06463 32 0	1 06465 22 0
1 06463 33 0	1 06465 23 0
1 06461 30 0	1 06461 34 0
1 06461 35 0	1 06461 39 0
1 06461 07 0	1 06461 12 0
1 06461 17 0	1 06461 22 0



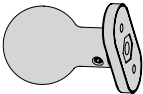
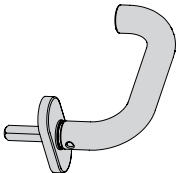
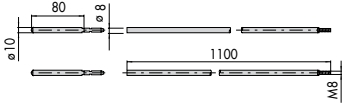
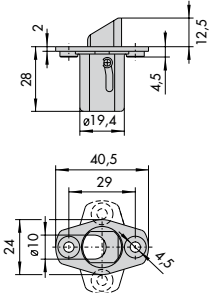
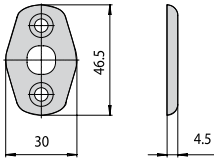
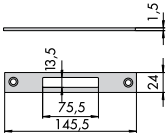
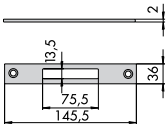
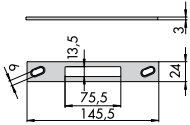
TYPE	CONTROLS	OPERATION
<p>A</p> <p>ACCESS FROM OUTSIDE WITH KEY ONLY</p> <p>For doors to be only opened from the outside by authorized personnel using a key</p>	<p>INSIDE</p> <ul style="list-style-type: none"> • Panic exit device to open • Key to close with deadbolt <p>OUTSIDE</p> <ul style="list-style-type: none"> • Key to operate the latch or deadbolt 	<p>Access from outside only possible by using a key</p> <p>Access from outside only possible by using a key</p>
<p>B</p> <p>OUTSIDE HANDLE ENABLED/DISABLED</p> <p>For doors opening to the outside and for buildings in which free access must be programmed.</p>	<p>INSIDE</p> <ul style="list-style-type: none"> • Panic exit device to open. • Key to close with deadbolt or enable/disable the external handle <p>OUTSIDE</p> <ul style="list-style-type: none"> • The key operates the deadbolt or enables/disables the external handle to control the latchbolt 	<p>The external handle can be enabled by turning the key all the way in the opening direction (the handle will continue to be enabled when the key is taken out)</p> <p>By closing the door with the deadbolt, the external handle will be disabled and remain so even after opening the door via the panic exit device</p>
<p>C</p> <p>OUTSIDE HANDLE AUTOMATICALLY DISABLED</p> <p>For doors to be opened from the outside by authorized personnel only via the key and to program free access in the presence of a person in charge</p>	<p>INSIDE</p> <ul style="list-style-type: none"> • Panic exit device to open. • Key to close with deadbolt <p>OUTSIDE</p> <ul style="list-style-type: none"> • The key operates the throws and enables the handle 	<p>The external handle can be enabled by turning the key all the way in the opening direction after operating the deadbolt (the handle will continue to be enabled while the key is left in)</p> <p>By removing the key, the external handle will be automatically disabled</p>
<p>D</p> <p>OUTSIDE HANDLE ALWAYS ENABLED</p> <p>For doors located in passage areas (e.g. corridors)</p>	<p>INSIDE</p> <ul style="list-style-type: none"> • Panic exit device to open • Key to close with deadbolt <p>OUTSIDE</p> <ul style="list-style-type: none"> • Key to operate the deadbolt. The handle is enabled to control the latch with the deadbolt withdrawn 	<p>The outside handle is always enabled when the deadbolt is withdrawn</p> <p>After operating the panic exit device, access from the outside is always possible until the deadbolt is operated via the key</p>

Type	Description	Function	Square spindle	Locking points	Throws	Distance	Faceplate	Backset	Unit weight	Pieces	ITEM												
											Type	Dim.	Hand	Fin.	Pers.	Spec.							
	<p>FOR 1- AND 2-LEAF DOORS</p> <ul style="list-style-type: none"> • “Flat” adjustable faceplate in STAINLESS STEEL 24x3mm with height 2300 mm <ul style="list-style-type: none"> - top adjustment 350 mm - bottom adjustment 150 mm • Adjustable latchbolt (11 to 17 mm) with antipicking system • 3 lateral deadbolts • Nylon protective rose pair item 1.06012-01-0 • Lock, rose and cylinder fixing screws • Pin to close deadbolt hole for single leaf doors • Square spindle adapter (9 to 8 mm) for Sblock series • Instruction sheet • 3 certificates 										A/D	8	3	1	92	24	30	3,520	1	1	43725	30	0
	A/D	8	3	1	92	24	35	3,590	1	1	43725	35	0										
	A/D	8	3	1	92	24	40	3,660	1	1	43725	40	0										
	A/D	8	3	1	92	24	45	3,730	1	1	43725	45	0										
	B	8	3	1	92	24	30	3,520	1	1	43735	30	0										
	B	8	3	1	92	24	35	3,590	1	1	43735	35	0										
	B	8	3	1	92	24	40	3,660	1	1	43735	40	0										
	B	8	3	1	92	24	45	3,730	1	1	43735	45	0										
	<p>FUNCTION TYPE A</p> <ul style="list-style-type: none"> • Inside: <ul style="list-style-type: none"> - Panic exit device to open - Key to close with deadbolt • Outside: <ul style="list-style-type: none"> - Key to operate latch and deadbolt 																						
	<p>FUNCTION TYPE B</p> <ul style="list-style-type: none"> • Inside: <ul style="list-style-type: none"> - Panic exit device to open - Key to close with deadbolt and enable/disable the external handle to control the latch • Outside: <ul style="list-style-type: none"> - Key to close with deadbolt and enable/disable the external handle to control the latch 																						
	<p>FUNCTION TYPE D</p> <ul style="list-style-type: none"> • Inside: <ul style="list-style-type: none"> - Panic exit device to open - Key to close with deadbolt • Outside: <ul style="list-style-type: none"> - Key to close with deadbolt - The handle (when the deadbolt is withdrawn) is enabled to control the latchbolt 																						
	<p>ON REQUEST:</p> <ul style="list-style-type: none"> • European profile cylinder • Adjustable metal striking plates • Cylinder protective rose item 1.06460-05/06-0 • Panic exit device series 59600 + bar series 07007 or Sblock series 59710-00/01-0 • Safety lock series 43295 for 2 leaf doors • Electric handle item 1.07074-71-0 • Protective rose item 1.06473-20/30-0-B1 • Square spindle, 8 mm item 1.07206-00-0 (L=100 mm) 																						

Type	Description	Function	Square spindle	Locking points	Throws	Distance	Faceplate	Backset	Unit weight Kg	Pieces	ITEM			
											Type	Dim.	Hand	Fin.
	<p>FOR 1- AND 2-LEAF DOORS</p> <ul style="list-style-type: none"> • “U”-shaped adjustable faceplate in STAINLESS STEEL, 24x5mm with height 2300 mm <ul style="list-style-type: none"> - top adjustment 350 mm - bottom adjustment 150 mm • Adjustable latchbolt (11 to 17 mm) with antipicking system • 3 lateral deadbolts • Nylon protective rose pair item 1.06012-01-0 • Lock, rose and cylinder fixing screws • Pin to close deadbolt hole for single leaf doors • Square spindle adapter (9 to 8 mm) for Sblock series • Instruction sheet • 3 certificates <p>FUNCTION TYPE A</p> <ul style="list-style-type: none"> • Inside: <ul style="list-style-type: none"> - Panic exit device to open - Key to close with deadbolt • Outside: <ul style="list-style-type: none"> - Key to operate latch and deadbolt <p>FUNCTION TYPE B</p> <ul style="list-style-type: none"> • Inside: <ul style="list-style-type: none"> - Panic exit device to open - Key to close with deadbolt and enable/disable the external handle to control the latch • Outside: <ul style="list-style-type: none"> - Key to close with deadbolt and enable/disable the external handle to control the latch <p>FUNCTION TYPE D</p> <ul style="list-style-type: none"> • Inside: <ul style="list-style-type: none"> - Panic exit device to open - Key to close with deadbolt • Outside: <ul style="list-style-type: none"> - Key to close with deadbolt - The handle (when the deadbolt is withdrawn) is enabled to control the latchbolt <p>ON REQUEST:</p> <ul style="list-style-type: none"> • European profile cylinder • Adjustable metal striking plates • Cylinder protective rose item 1.06460-05/06-0 • Panic exit device series 59600 + bar series 07007 or series Sblock series 59710-00/01-0 • Safety lock series 43295 for 2 leaf doors • Electric handle item 1.07074-71-0 • Protective rose item 1.06473-20/30-0-B1 • Square spindle, 8 mm item 1.07206-00-0 (L=100 mm) 	A/D	8	3	1	92	24	30	3,520	1	1	43825	30	0
	A/D	8	3	1	92	24	35	3,590	1	1	43825	35	0	
	A/D	8	3	1	92	24	40	3,660	1	1	43825	40	0	
	A/D	8	3	1	92	24	45	3,730	1	1	43825	45	0	
	B	8	3	1	92	24	30	3,520	1	1	43835	30	0	
	B	8	3	1	92	24	35	3,590	1	1	43835	35	0	
	B	8	3	1	92	24	40	3,660	1	1	43835	40	0	
	B	8	3	1	92	24	45	3,730	1	1	43835	45	0	

Type	Description	Function	Square spindle	Locking points	Throws	Distance	Faceplate	Backset	Unit weight 	Pieces	ITEM			
											Type	Dim.	Hand	Fin.
	FOR 1- AND 2-LEAF DOORS													
	• "Flat" adjustable faceplate in STAINLESS STEEL 24x3 mm	A/D	8	1	1	92	24	30	0,770	1	1	43225	30	0
	• Adjustable latchbolt (11 to 17 mm) with antipicking system	A/D	8	1	1	92	24	35	0,800	1	1	43225	35	0
	• 1 lateral deadbolt	A/D	8	1	1	92	24	40	0,830	1	1	43225	40	0
	• Nylon protective rose pair item 1.06012-01-0	A/D	8	1	1	92	24	45	0,860	1	1	43225	45	0
	• Nylon spacers 8 mm (2 3mm pcs and 1 2 mm pc)	B	8	1	1	92	24	30	0,770	1	1	43235	30	0
	• Lock, rose and cylinder fixing screws	B	8	1	1	92	24	40	0,830	1	1	43235	40	0
	• Pin to close deadbolt hole for single leaf doors	B	8	1	1	92	24	40	0,830	1	1	43235	40	0
	• Square spindle adapter (9 to 8 mm) for Sblock series	B	8	1	1	92	24	45	0,860	1	1	43235	45	0
	• Instruction sheet	C	8	1	1	92	24	30	0,770	1	1	43236	30	0
	• 3 certificates	C	8	1	1	92	24	35	0,800	1	1	43236	35	0
		C	8	1	1	92	24	40	0,830	1	1	43236	40	0
		C	8	1	1	92	24	45	0,860	1	1	43236	45	0
	FUNCTION TYPE A													
• Inside:														
- Panic exit device to open														
- Key to close with deadbolt														
• Outside:														
- Key to operate latch and deadbolt														
FUNCTION TYPE B														
• Inside:														
- Panic exit device to open														
- Key to close with deadbolt and enable/disable the external handle to control the latch														
• Outside:														
- Key to close with deadbolt and enable/disable the external handle to control the latch.														
FUNCTION TYPE C														
• Inside:														
- Panic exit device to open														
- Key to close with deadbolt and enable/disable the external handle to control the latch														
• Outside:														
- Key to close with deadbolt and enable/disable the external handle to control the latch														
- The external handle remains enabled while the key is in, when the key is removed the handle is disabled														
FUNCTION TYPE D														
• Inside:														
- Panic exit device to open														
- Key to close with deadbolt														
• Outside:														
- Key to close with deadbolt														
- The handle (when the deadbolt is withdrawn) is enabled to control the latchbolt														
ON REQUEST:														
• European profile cylinder														
• Adjustable metal striker plates														
• Cylinder protective rose item 1.06460-05/06-0														
• Panic exit device series 59600 + bar series 07007 or series Sblock series 59710-00/01-0														
• Safety lock series 43295 for 2 leaf doors														
• Electric handle item 1.07074-71-0														
• Protective rose items 1.06473-20/30-0-B1														
• Square spindle, 8 mm item 1.07206-00-0 (L=100 mm)														

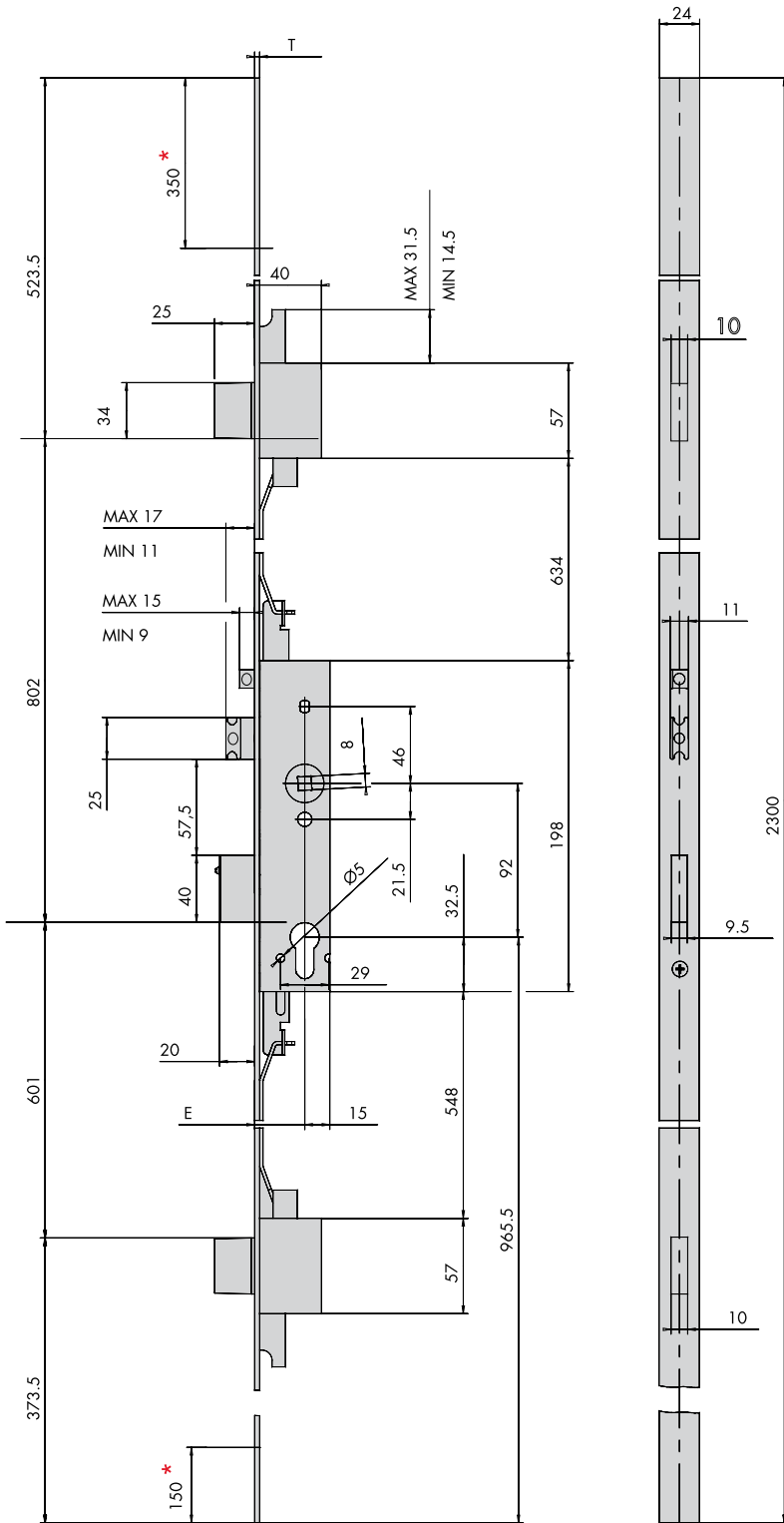
Type	Description	L	Square spindle	Locking points	Distance	Faceplate	Backset	Unit weight Kg	Pieces	ITEM				
										Type	Dim.	Hand	Fin.	Pers.
	SAFETY LOCK FOR SECONDARY DOOR LEAF TO INSTALL WITH PANIC FUNCTION MULTIPOINT LOCKS	8	2	92	24	30	0,875	1	1	43295 30 0				
		8	2	92	24	40	0,940	1	1	43295 40 0				
		8	2	92	24	60	1,100	1	1	43295 60 0				
		8	2	92	24	75	1,260	1	1	43295 75 0				
	<ul style="list-style-type: none"> In the main door leaf a lock series 43725/43735/43825/43835/43225/43235/43236 should be installed STAINLESS STEEL faceplate 24x3mm Extended bolt connector adjustable by 20 mm in the horizontal direction Deadbolt feeler pin adjustable by 5.5 mm Automatic or manual extended bolt closing No. 1 5mm nylon spacer for profiles type "R" and no. 2 3mm nylon spacers for "DOOR" type profiles Square spindle adapter (9 to 8 mm) for Sblock series Safety lock fixing screws Instruction sheet 													
	FUNCTIONS <ul style="list-style-type: none"> Inside: <ul style="list-style-type: none"> - With panic exit device Outside: <ul style="list-style-type: none"> - No operation 													
	ON REQUEST <ul style="list-style-type: none"> Threaded internal extended bolts item 1.07088-03.0 Panic exit devices series 59600 + bar series 07007 or series Sblock 59710-00/01-0. Automatic device for extended bolt closure restoring item 1.07089-52-0 complete with spacers item 1.06141-81-0 (1 2mm spacer and 1 2.5mm spacer) and with top nylon striker item 1.06141-80-0 Teflon covered floor striker item 1.06142-85-0 Square spindle 8 mm with Seeger ring item 1.07085-77-0 Kit of spacers for safety lock item 1.06141-88-0 													
	<ul style="list-style-type: none"> Panic exit device series Sblock Suitable for installation with panic function locks series 43225/43235/43236/43725/43735/43825/43835 	1200	9				3,360	1	1	59710 00 0				
		840	9				2,602	1	1	59710 01 0				
	<ul style="list-style-type: none"> Panic exit device series Sblock PVD Suitable for installation with panic function locks series 43225/43235/43236/43725/43735/43825/43835 	1200	9				3,360	1	1	59710 00 0 C2				
	<ul style="list-style-type: none"> Black painted aluminum case Suitable for installation with panic function locks series 43225/43235/43236/43725/43735/43825/43835 	8					1,650	1	1	59605 06 0				
	<ul style="list-style-type: none"> Black painted aluminum case Suitable for installation with panic function locks series 43225/43235/43236/43725/43735/43825/43835 	8	92				2,750	1	1	59615 17 0				
	<ul style="list-style-type: none"> Red painted oval shaped bar Paint finishes on request: yellow (fin. 42), green (fin. 43), black (fin. 44), white (fin. 45), gray (fin. 97) 	900					0,800	1	1	07007 13 0				
		1200					1,054	1	1	07007 14 0				
		1500					1,352	1	1	07007 15 0				
	<ul style="list-style-type: none"> Stainless steel oval shaped horizontal bar 	900					0,800	1	1	07007 60 0				
		1200					1,070	1	1	07007 61 0				
		1500					0,900	1	1	07007 62 0				

Type	Description	Unit weight	Pieces	ITEM				
				Type	Dim.	Hand	Fin.	Pers. Spec.
	<ul style="list-style-type: none"> Thumb turn to install with SikurExit Finishes: nickel-plated, chrome-plated and satin For EN 179:2008 the handle item 1.07070-66-0-B1 should also be ordered 	0,200	1	1	07070	56	0	B1
	<ul style="list-style-type: none"> Handle to install with SikurExit Finishes: nickel-plated, chrome-plated and satin For EN 179:2008 2 pieces should also be ordered 	0,200	1	1	07070	66	0	B1
	<ul style="list-style-type: none"> Screw-in internal extended bolts with zinc plating <p>SUPPLIED AS STANDARD WITH:</p> <ul style="list-style-type: none"> Pair of extended bolts diameter 8 mm Monobloc tip diameter 10 mm item 1.06291.05.0 (2 pcs) 	0,600	12	1	07088	03	0	
	<ul style="list-style-type: none"> Extended bolt locking device, steel made, complete with: <ul style="list-style-type: none"> spacers item 1.06141-81-0 top striker item 1.06141-80-0 	0,600	12	1	07089	52	0	
	<ul style="list-style-type: none"> Teflon covered floor striker 	0,050	12	1	06142	85	0	
	<ul style="list-style-type: none"> Stainless steel flat striking plate, 24 x 1.5 mm 	0,034	12	1	06461	12	0	
	<ul style="list-style-type: none"> Stainless steel flat striking plate, 36 x 2 mm, for "UNICO" Forster profile 	0,034	12	1	06461	22	0	
	<ul style="list-style-type: none"> Stainless steel flat striking plate, 24 x 3 mm 	0,065	12	1	06461	34	0	

Type	Description	Unit weight Kg	Pieces	ITEM				
				Type	Dim.	Hand	Fin.	Pers. Spec.
	<ul style="list-style-type: none"> Stainless steel "U"-shaped strikingplate, 24 x 6 mm 	0,065	12	1	06461	39	0	
	<ul style="list-style-type: none"> Nylon cover plate for thermal cutting door profiles (outside opening) 	0,019	25	1	06141	79	0	
	<ul style="list-style-type: none"> Black nylon top striker for deadbolts 	0,022	25	1	06141	80	0	
	<ul style="list-style-type: none"> Nylon faceplate spacer 	00,020	12	1	06141	88	0	
	<ul style="list-style-type: none"> Protective rose for cylinders RS3, ASTRAL (with long key, CL) and ASIX, made from chrome-plated carbonitrided steel and complete with: <ul style="list-style-type: none"> - 2 mm spacers (16 pcs), 1 mm spacers (2 pcs) - M5 screws 73 mm - Inside escutcheon AVAILABLE FINISHES Gold plated polished steel (fin. 15) 	0,485	1	1	06460	05	0	
	<ul style="list-style-type: none"> Protective rose for cylinders SP and TSP (with long key, CL), made from chrome-plated carbonitrided steel and complete with: <ul style="list-style-type: none"> - 2 mm spacers (16 pcs), 1 mm spacers (2 pcs) - M5 screws 73 mm - Inside escutcheon AVAILABLE FINISHES: Gold plated polished steel (fin. 15) 	0,485	1	1	06460	05	0 15	
	<ul style="list-style-type: none"> Protective rose for cylinders SP and TSP (with long key, CL), made from chrome-plated carbonitrided steel and complete with: <ul style="list-style-type: none"> - 2 mm spacers (16 pcs), 1 mm spacers (2 pcs) - M5 screws 73 mm - Inside escutcheon AVAILABLE FINISHES: Gold plated polished steel (fin. 15) 	0,490	1	1	06460	06	0	
		0,485	1	1	06460	06	0 1	

Type	Description	Unit weight Kg	Pieces	ITEM				
				Type	Dim.	Hand	Fin.	Pers. Spec.
	<ul style="list-style-type: none"> • Oval shaped brass inside escutcheon for European profile cylinders • Finish: Clear varnished and polished 	0,100	12	1	06473	20	0	
	<ul style="list-style-type: none"> • Finish: Nickel-plated, chrome-plated and satin finished 	0,100	12	1	06473	20	0 B1	
	<ul style="list-style-type: none"> • Oval shaped brass inside escutcheon for European profile cylinders with adjustable shaft • Finish: Clear varnished and polished 	0,100	12	1	06473	30	0	
	<ul style="list-style-type: none"> • Finish: Nickel-plated, chrome-plated and satin finished 	0,100	12	1	06473	30	0 B1	
	<ul style="list-style-type: none"> • Steel square spindle 	0,060	6	1	07206	00	0	
	<ul style="list-style-type: none"> • Steel square spindle with Seeger ring for safety lock 	0,100	6	1	07085	77	0	

Drawings and Dimensions



About Allegion

Allegion (NYSE: ALLE) creates peace of mind by pioneering safety and security. As a \$2 billion provider of security solutions for homes and businesses, Allegion employs more than 7,800 people and sells products in more than 120 countries across the world. Allegion comprises 23 global brands, including strategic brands CISA®, Interflex®, LCN®, Schlage® and Von Duprin®.

For more, visit allegion.com

